



Ref. Certif. No.

DK-129908-UL

IEC SYSTEM FOR MUTUAL RECOGNITION OF TEST CERTIFICATES FOR ELECTRICAL EQUIPMENT (IECEE) CB SCHEME

CB TEST CERTIFICATE

Product

Switches for Appliances

Name and address of the applicant

GOTTAK S L
Pujades 776 Barcelona 08005
Spain

Name and address of the manufacturer

GOTTAK S L
Pujades 776 Barcelona 08005
Spain

Name and address of the factory

GOTTAK S L
Pujades 776 Barcelona 08005
Spain

Note: When more than one factory, please report on page 2

Additional Information on page 2

Ratings and principal characteristics

16(4)A 250 Vac, 1E4, T125
12(3)A 250 Vac, 5E4, T125
10(2)A 400V ac, 10E3, T125

Trademark (if any)



Customer's Testing Facility (CTF) Stage used

Model / Type Ref.

46RCTH Series
See Page 2

Additional information (if necessary may also be reported on page 2)

Additionally evaluated to: EN IEC 61058-1:2018, EN 61058-1-1:2016
 Additional Information on page 2

A sample of the product was tested and found to be in conformity with

IEC 61058-1-1:2016, IEC 61058-1:2016

As shown in the Test Report Ref. No. which forms part of this Certificate

INST-4790007651.2-1 issued on 2022-07-01
INST-4790007651.2-1-1 issued on 2022-07-01

This CB Test Certificate is issued by the National Certification Body



- UL (US), 333 Pfingsten Rd IL 60062, Northbrook, USA
- UL (Demko), Borupvang 5A DK-2750 Ballerup, DENMARK
- UL (JP), Marunouchi Trust Tower Main Building 6F, 1-8-3 Marunouchi, Chiyoda-ku, Tokyo 100-0005, JAPAN
- UL (CA), 7 Underwriters Road, Toronto, M1R 3B4 Ontario, CANADA

For full legal entity names see www.ul.com/ncbnames

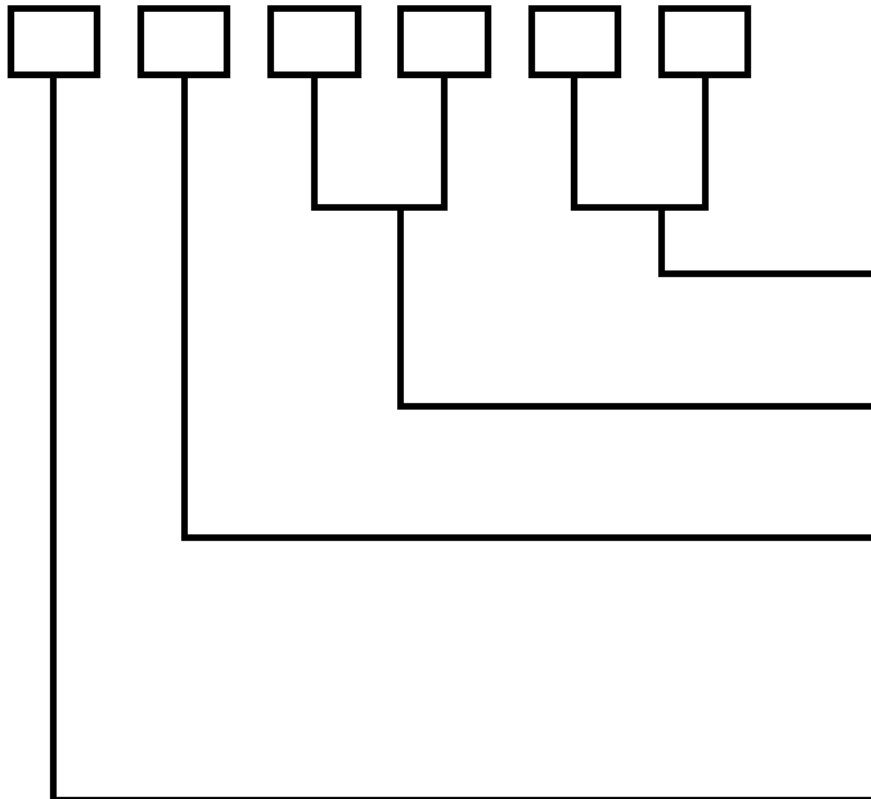
Date: 2022-07-15

Signature:

Jan-Erik Storgaard

**Model Details:
Nomenclature:**

SYSTEM CODING FOR 46RCTH SERIES OF SWITCHES



ordinal number

number of circuits
1 to 12

steps or positions
 0 : 36 deg. 5 : 72 deg.
 1 : 33 deg. 6 : 60 deg.
 2 : 30 deg. 7 : 51 deg.
 3 : others 8 : 45 deg.
 4 : 90 deg. 9 : 40 deg.

Series :
 5: Series 4RT (Max. 4circuits)
 6: Series 4RC (Max. 8circuits)
 7: Series 6RC (Max. 12circuits)

Additional information (if necessary)



- UL (US), 333 Pfingsten Rd IL 60062, Northbrook, USA
- UL (Demko), Borupvang 5A DK-2750 Ballerup, DENMARK
- UL (JP), Marunouchi Trust Tower Main Building 6F, 1-8-3 Marunouchi, Chiyoda-ku, Tokyo 100-0005, JAPAN
- UL (CA), 7 Underwriters Road, Toronto, M1R 3B4 Ontario, CANADA

For full legal entity names see www.ul.com/ncbnames

Date: 2022-07-15

Signature: 
 Jan-Erik Storgaard